

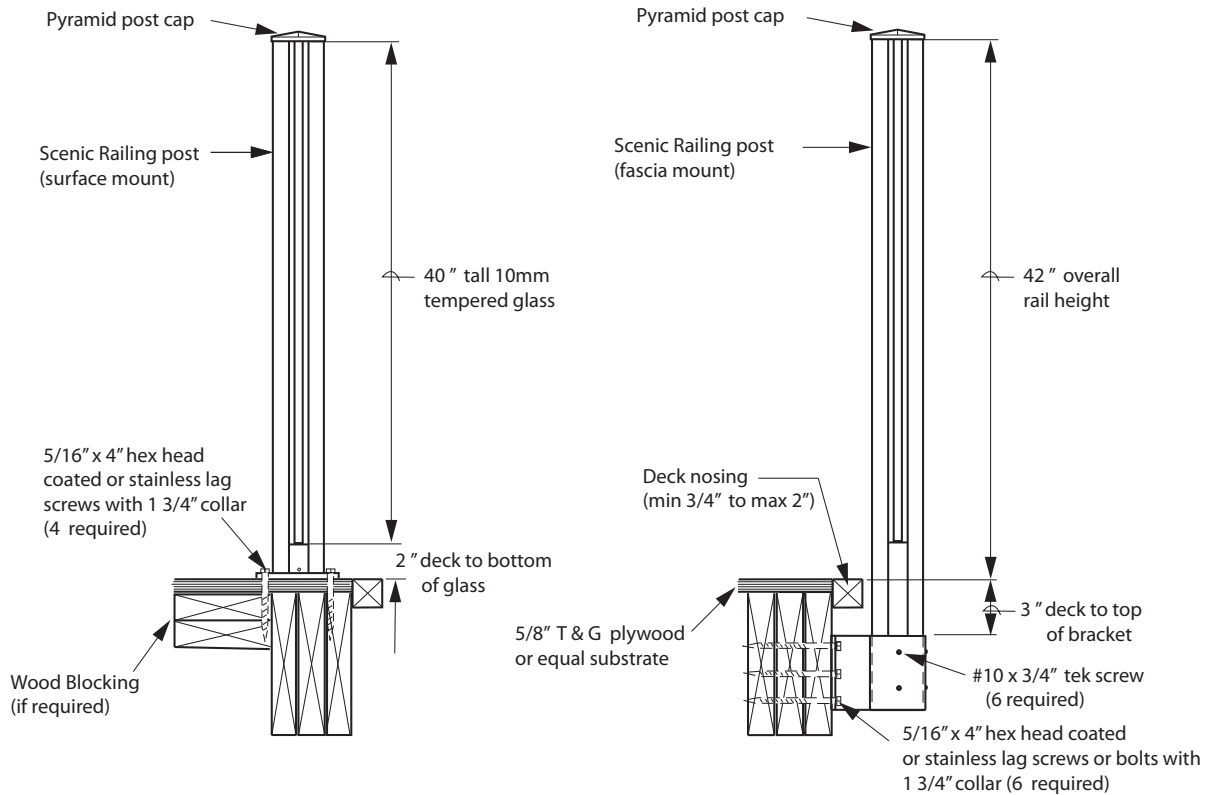


## “Scenic Series” 10mm Glass Post Detail

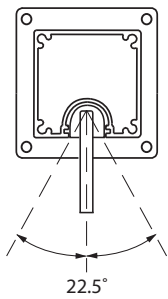
Step 1: Determine the posts position based on overall deck dimensions.

Note: Post spacing not to exceed 4 ft center to center of posts.

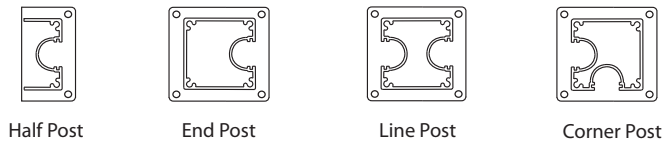
Step 2: Install the posts using appropriate fasteners. See below for surface mount and fascia mount dimensions.



Scenic Post Glass Angles



Scenic Post Options



Our unique integrated glass channel and insert allow glass to easily pivot up to 22.5°. For angles between 0° and 45° use our end or line post. For angles between 45° and 90° use our corner post.

Note: If installation is in areas where there is potential of high winds or wind gusts exceeding 60 MPH/100 KPH, it is advised to consult a professional engineer to determine if our product is suitable for the intended application.  
 \*\*\* It is the sole responsibility of the home owner/contractor to comply with all local Building Codes regarding all deck or fascia connections. Lag screws are to be used which are ACQ compatible or stainless steel. Fasteners are not included, but are available at your local building supply store.